

Introduction

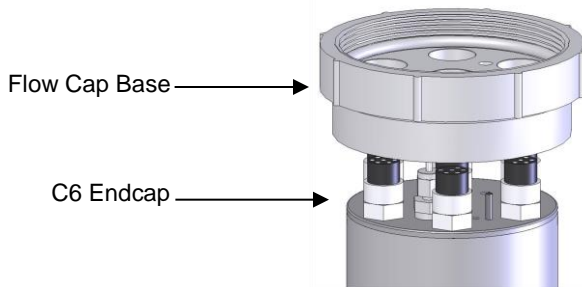
The C6 Multi-Sensor Platform's Flow Cap was designed to enable flow through mode for the C6 Multi-Sensor Platform. The C6 Multi-Sensor Platform can be configured with other instruments with online flow through systems.

The C6 Flow Cap provides: 1) elimination of other light sources that may interfere with sensor measurements, 2) protect sensors from damage during deployment or transport and 3) helps limit biofouling

The Flow Cap can also be used as a calibration cup to calibrate Cyclops units using standard calibrating solutions. See page 2 for calibration cup use.

Flow Cap Installation Instructions

- 1) Use a screwdriver to remove the screws that fasten the C6 Multi-Sensor Platform's support bracket
- 2) Remove the C6 Multi-Sensor Platform's support bracket
- 3) Unscrew the 3 stainless steel rods attached to the C6 endcap
- 4) Position and mate the base of the Flow Cap to the C6 endcap

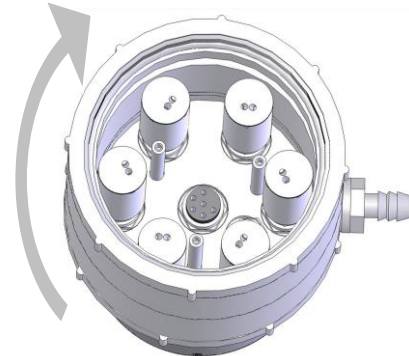


- 5) By hand, screw the 3 stainless steel rods onto the C6 endcap until they are fully tightened

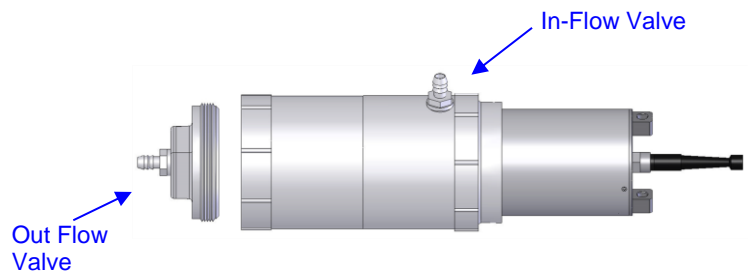


- 6) Turning clockwise, fully hand tighten the Flow Cap housing onto the Flow Cap base connector

NOTE: The functions of the 3 stainless steel rods are to hold the Flow Cap Base to the C6 housing and to support the wiper unit. If Wiper Unit has been purchased, see next page for additional wiper unit and wiper unit bracket installation instructions



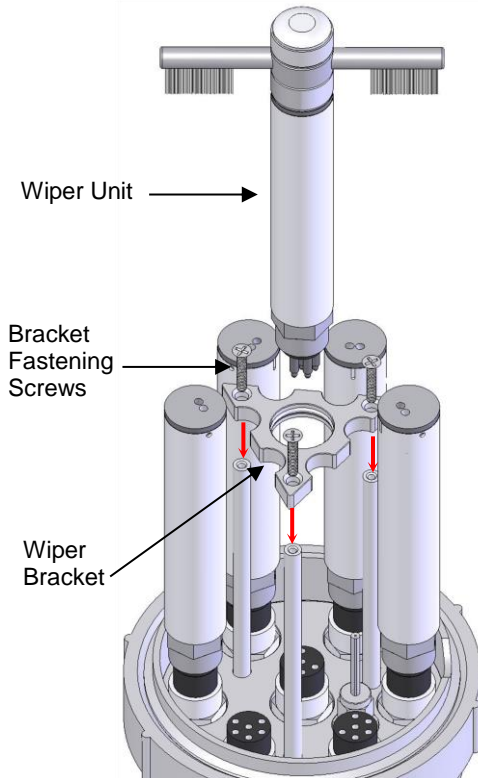
- 7) Turning clockwise, thread the Flow Cap's endcap to the Flow Cap housing until it is fully hand tightened



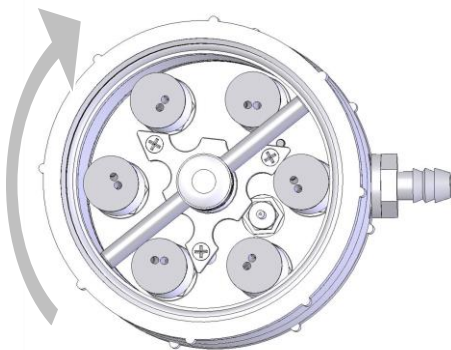
NOTE: Turner Designs recommends the configuration above for the Flow Cap. It is recommended to position the instrument vertically with the sensor head facing upward to expel any air from the system that might cause skewed readings.

Installation (Optional)

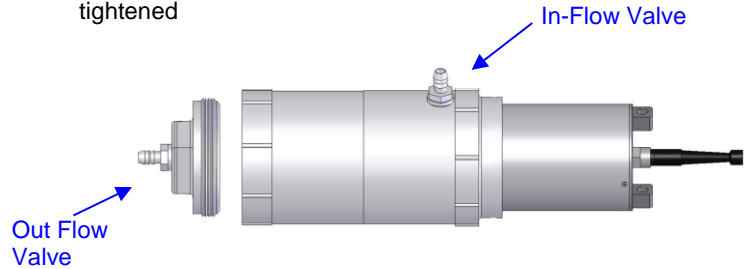
- 1) Follow the Flow Cap Installation Instructions 1-5, located on page 1
- 2) Position and mate the wiper bracket with the 3 stainless steel rods
- 3) Fasten the wiper bracket to the stainless steel rods using the screws provided
- 4) Slide the wiper unit through the wiper bracket and mate the wiper unit with the C6 port



- 5) Turning clockwise, fully hand tighten the Flow Cap housing onto the Flow Cap base connector

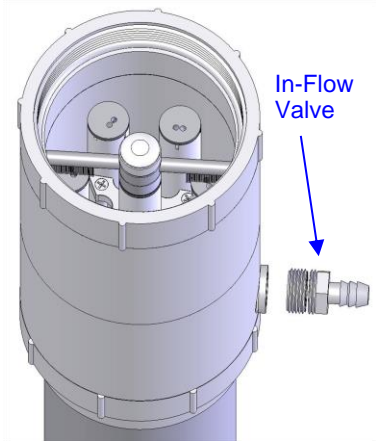


- 6) Turning clockwise, thread the Flow Cap's endcap to the Flow Cap housing until it is fully hand tightened



Calibration Cup Use

The In-Flow Valve can be unscrewed and replaced with a cap or screw plug when using the Flow Cap as a calibration cup for calibrating using solutions standards.



Specifications

Max. Pressure	15 psi
Material	Black ABS
Dimensions	Length = 30cm (11.81 in.) Diameter = 3 cm (5.118 in.)
Volume	1.7 L (0.4491 U.S. gallons)
Weight	1.042 kg (2.296 lbs)